



160 Leguan 160

Leguan 160 is an access platform with unbeatable features, designed for heavy duty professional and rental use. In the design of the Leguan 160 special attention has been paid to durability, strength and user friendliness.

High platform capacity over whole working area, chassis with wheels or with crawler tracks and strong booms make Leguan 160 the right choice for professionals.

130 Leguan 130

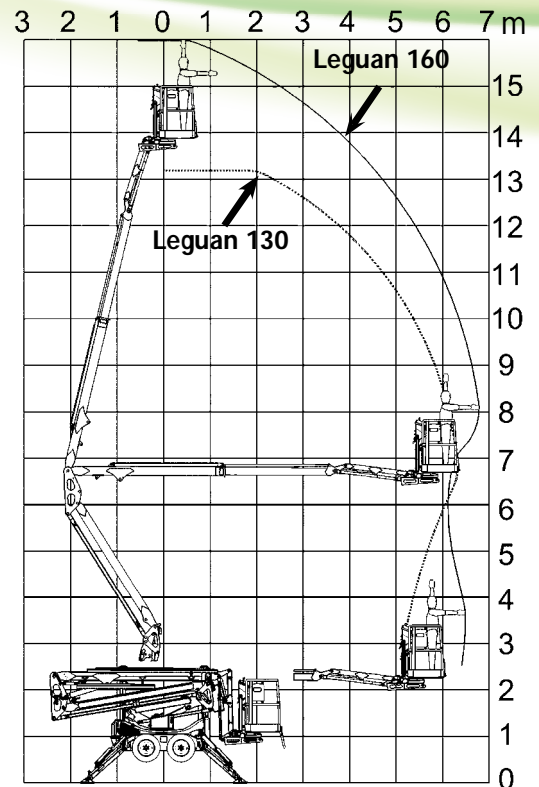
Leguan 130 is the sister model of Leguan 160, made for heavy duty professional use like its bigger sibling. The most important features in the design of the Leguan 130 have been durability, strength and user friendliness.



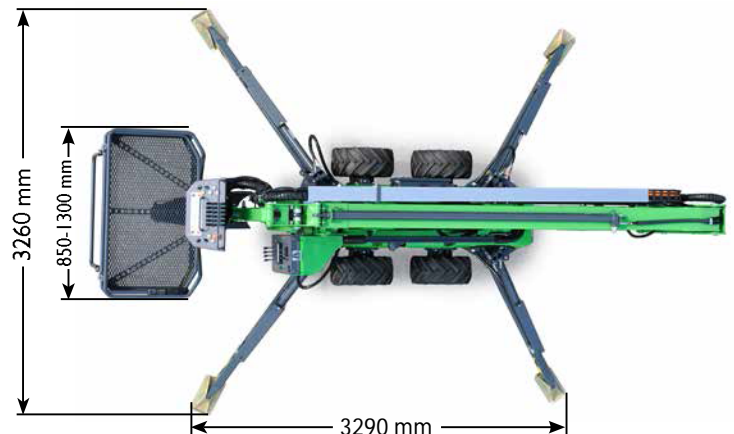
130 160

Technical data

	LEGUAN 130	LEGUAN 160
SWL for the entire working area	200 kg / 2 persons	200 kg / 2 persons
Max. working height	13,10 m	15,90 m
Max. platform height	11,10 m	13,90 m
Max. outreach	6,30 m	6,70 m
Transport length	5,20 m	4,94 m
Platform dimensions W x L	1,30 x 0,75 m	1,30 x 0,75 m
Rotation of basket	90° (±45°)	90° (±45°)
Slewing	360°	360°
Gradeability	35 % (20°)	35 % (20°)
Outrigger spread working	3,29 x 3,26 m	3,29 x 3,26 m
Max. slope for outriggers	22 % (13°)	22 % (13°)
Weight with tyres	1900 kg	2100 kg
Weight with tracks	2100 kg	2300 kg
Power source	Kubota 14 hp diesel	Kubota 14 hp diesel
	230 V	230 V
Drive system: hydraulic	4WD	4WD
	Tracks	Tracks
Drive speed	1,5 km/h / 4,5 km/h	1,5 km/h / 4,5 km/h
Start battery	12V / 43 Ah	12V / 43 Ah



Transport dimensions	LEGUAN 130	LEGUAN 160
Length with platform	5,00-5,20 m	4,94 m
Length without platform	4,74 m	4,60 m
Height	23" tyres	1,94 m
	20" tyres	1,91 m
with tracks	1,94 m	2,01 m
	1,94 m	2,01 m
Width	23" tyres	1,23 m
	20" tyres	1,01 m
with tracks	1,30 m	1,30 m



Options

- 230V electric propelling
- two 230V outlets at platform
- rubber crawler tracks
- white tyres or tracks
- tire bags for sensitive surfaces
- extra hose (water/air) to platform
- engine block heater with thermostat for Kubota diesel engine
- GPS tracking with remote stopping and location information
- plastic pads on outrigger feet
- extra large outrigger feet
- extra large outrigger feet with anti slip studs
- controls at ground level
- warning beacons on outriggers and booms
- platform with mesh floor
- special transportation trailer
- 12V jump start connectors at ground level