



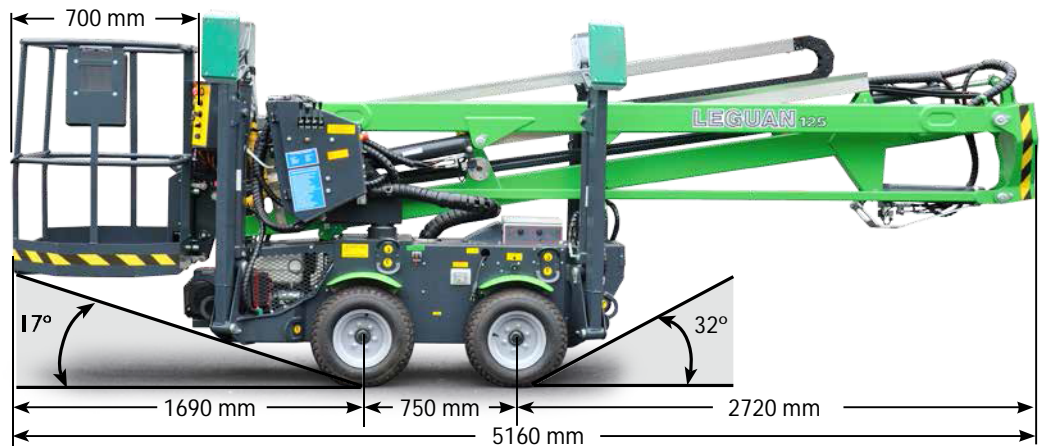
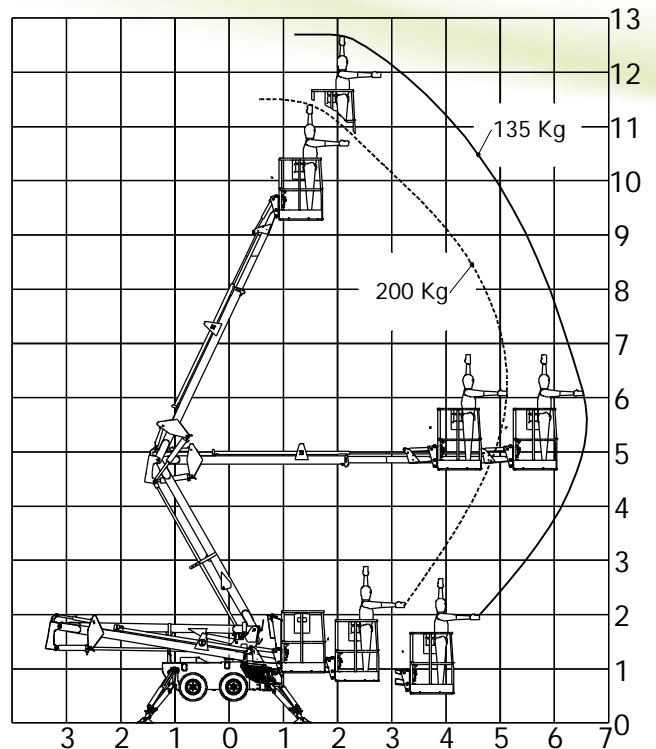
125 Leguan 125

Leguan 125 is a lightweight, economical and uncomplicated self propelled platform, made for professional use. During the many years on the market Leguan 125 has proven its capabilities on hundreds of work sites.

In 2010 Leguan 125 was updated: the new features include e.g. an automatic parking brake and improvements on the chassis design. Leguan 125 is ideally suited for situations where it is frequently transported between work sites on a trailer and where the ground conditions on the sites are varying and challenging. Available with either a four wheel drive or with a crawler track chassis, the Leguan 125 is very maneuverable and has excellent all terrain capabilities.



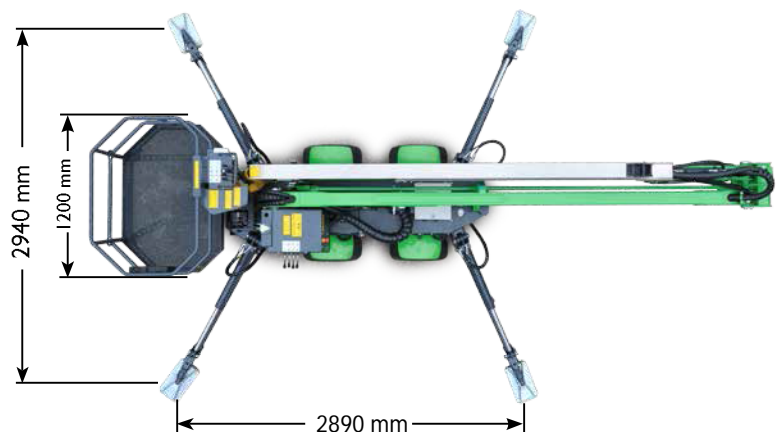
	LEGUAN 125
SWL	200 kg / 2 persons
Max. working height	11,30 m (200 kg), 12,50 m (<135 kg)
Max. platform height	9,30 m (200 kg), 10,50 m (<135 kg)
Max. outreach	5,10 m (200 kg), 6,50 m (<135 kg)
Total length	5,16 m
Platform dimensions W x L	1,20 m x 0,70 m
Slewing	360°
Gradeability	35 % (20°)
Outrigger spread working	2,94 m x 2,89 m
Max. slope for outriggers	22% (13°)
Weight with tyres	1500 kg
Weight with tracks	1650 kg
Power source	Honda 13 hp petrol
	230 V
Drive system: hydraulic	4WD
	Tracks
Drive speed	1,6 km/h / 4,1 km/h
Start battery	12V / 43 Ah



Transport dimensions	LEGUAN 125
Length with platform	5,16 m
Length without platform	4,50 m
Width 23 x 8,5-12" Grass tyres	1,00 m
Width 20 x 8,0-10" TR tyres	1,02 m
Width with tracks	1,13 m
Height 23 x 8,5-12" Grass tyres	1,84 m
Height 20 x 8,0-10" TR tyres	1,80 m
Height with tracks	1,84 m

Options

- 230V electric propelling
- two 230V outlets at platform
- rubber crawler tracks
- white tyres or tracks
- tire bags for sensitive surfaces
- extra hose (water/air) to platform
- GPS tracking with remote stopping and location information
- plastic pads on outrigger feet
- extra large outrigger feet



- extra large outrigger feet with anti slip studs
- controls at ground level
- warning beacons on outriggers and booms
- platform with mesh floor
- special transportation trailer
- 12V jump start connectors at ground level