

Specifications

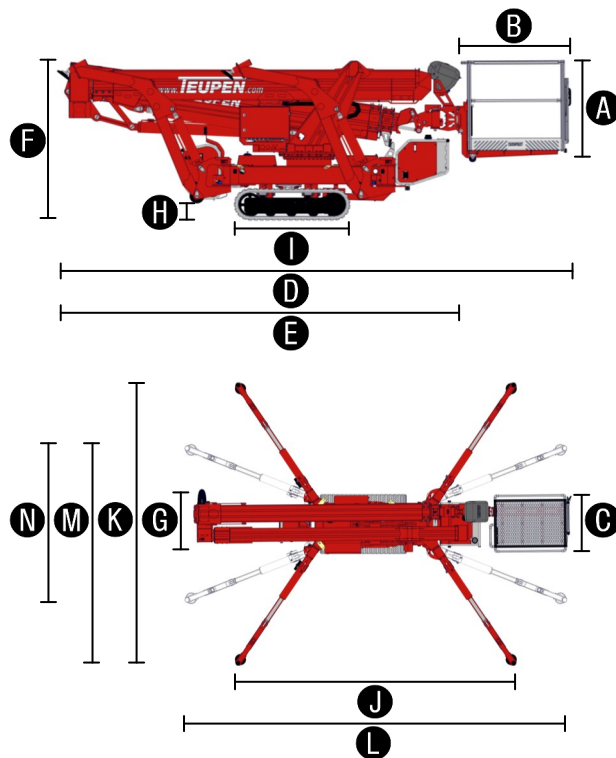
LEO 21GT

MEASUREMENTS	Metric	US
Working height, max.	21,00 m	68 ft 11 in
Horizontal outreach with 250 kg	12,00 m	39 ft 4 in
Up and Over Clearance, max.	9,40 m	30 ft 10 in
Platform height (A)	1,10 m	3 ft 7 in
Platform length (B)	1,20 m	3 ft 11 in
Platform width (C)	0,80 m	2 ft 8 in
Length, overall (D)	6,40 m	20 ft 12 in
Length without basket (E)	5,00 m	16 ft 5 in
Height, travelling position (F)	1,99 m	6 ft 6 in
Width, min. (G)	0,98 m	3 ft 3 in
Ground clearance, max. (H)	0,44 m	1 ft 5 in
Track (L x W) (I)	1,45 m x 0,20 m	4 ft 9 in x 8 in
Length outrigger footprint standard (J)	4,70 m	15 ft 5 in
Width outrigger footprint standard (K)	4,70 m	15 ft 5 in
Length footprint one side narrow (L)	6,30 m	20 ft 8 in
Width footprint one side narrow (M)	3,60 m	12 ft
Width footprint both sides narrow (N)	2,50 m	8 ft 2 in
Outrigger plate Ø	0,18 m	7 in

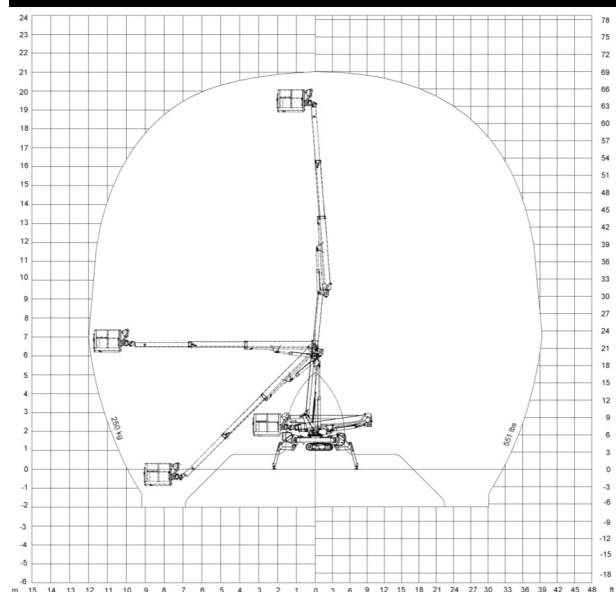
PRODUCTIVITY	Metric	US
Basket capacity	250 kg	551 lbs
Movable Jib	-	-
Basket rotation	180°	180°
Turret rotation	450°	450°
To be jacked up on ground slope of	16,7°/30,0 %	16.7°/30.0 %
Height and width track adjustment	19/46 cm	7 in/1 ft 6 in
Gradeability, max.	16,7°/30,0 %	16.7°/30.0 %
Slope angle	19,0°/34,0 %	19.0°/34.0 %
Travel speed	4,0 km/h	2.5 mph

WEIGHT	Metric	US
Total weight	3000 kg	6614 lbs
Live load in travelling position	4,64 kN/m ²	96.9 psf
Live load in working position	1,57 kN/m ²	32.8 psf
Point load per outrigger plate, max.	23,70 kN	5328 lbf

POWER		
Standard power sources (Electric and combustion engine)	1) Electric: EU: 230 V, 12,9 A, 2,2 kW US: 115 V, 19.3 A, 1.6 kW 2) Petrol/Gas: Vanguard OHV 16 HP (11,93 kW/16 hp)	
Optional power source	1) Diesel: Kubota Z 602 (10,8 kW/14,5 hp) 2) Li-Ion Battery: 48 V	
Fuel tank petrol/gas engine	11,5 l	2.91 gal
Fuel tank capacity Diesel engine	11,5 l	2.91 gal



WORKING ENVELOPE



STANDARDS COMPLIANCE



EN ISO 9001



Product specifications are subject to change without notice or obligation. Photographs and drawings in this document are for illustrative purposes only. Refer to the appropriate Operator's Manual for instructions on the proper use of this equipment. Failure to follow the appropriate Operator's Manual when using our equipment or to otherwise act irresponsibly may result in serious injury or death. The only warranty applicable to our equipment is the standard written warranty applicable to the particular product and sale and we make no other warranty, expressed or implied. Products and services listed may be trademarks, service marks or trade-names of Teupen Maschinenbau GmbH and/or its subsidiaries in the U.S.A. and many other countries. "Teupen", "Access redefined" and "LEO Series" are registered Trademarks of Teupen GmbH in the United States of America and many other countries. Version 2015-A © 2015 Teupen Maschinenbau GmbH.

Features

TRACK CHASSIS

- Powerful track drive with hydraulic braking system
- Precise maneuvering over sensitive electrohydraulic cable remote control
- Rubber tracks with specially arranged profile providing optimum grip
- White, non-marking rubber tracks
- Mechanically height- und width-adjustable track chassis

STABILISATION

- Fully-hydraulic, automatic levelling system with outrigger/stabiliser setup monitoring
- Variable outrigger/stabiliser system with one-side or both-sides narrow setup option
- Wear resistant, anti-friction PVC outrigger/stabiliser feet

BOOM SYSTEM

- Telescoping upper- and lower booms, trapezium-shaped with Teflon sliding blocks
- All functions are available from one control panel
- Electric-proportional controls with intuitive operator guidance
- Robust, lockable control panel with integrated operation and display function
- Self-levelling platform with fully-hydraulic levelling system
- Corner-mounted, 180° turnable basket for extra flexibility
- Boom rotation via high-performance slew ring, worm gear and hydraulic motor
- Resting support system prevents incorrect positioning of boom in transport bracket

POWER SOURCES

- 230 V electric motor (EU), 115 V electric motor (US)
- Vanguard OHP 16 HP petrol/gas engine (11,93 kW/16 hp)
- Start-Stop switch of combustion engine in the basket

PRODUCTIVITY, SAFETY, QUALITY

- 230 V (EU), 115 V (US) double power outlet in the basket
- ITEM basket
- Lockable storage box for cable remote control
- High-quality paint in RAL 3020 (red)
- Hydraulic emergency lowering via hand pump
- Cables and hoses are safely routed through the boom structure
- Biodegradable hydraulic oil
- Lock valves - hydraulic return valves directly on all hydraulic cylinders
- Relief valves protecting the hydraulic system from too high pressures
- Protective covers for oil-tank, emergency controls and connecting cables and hoses
- Protective covers for electric housing, ground control panel and telescopic cylinder
- Easily removable covers for optimal accessibility
- Hour meter
- Complete second control box on the chassis and error analysis with display
- Fuzzy IV control technology



OPTIONS

- Kubota Diesel engine Z602 (10,8 kW/14,5 hp) instead of petrol/gas engine
- Li-Ion Battery drive 48 V instead of gas/petrol engine
- Custom paintwork, one colour, according to RAL scheme (except metallic coatings, signal- or special colors)
- Custom paintwork, two colours, according to RAL scheme (except metallic coatings, signal- or special colors)
- Hydraulically height- and width-adjustable track chassis instead of the mechanically height- and width-adjustable track chassis
- Radio remote control

ACCESSORIES

- Outrigger/Stabiliser pad (450 x 400 x 40 mm/1 ft 5 in x 1 ft 4 in x 1 1/2 in)
- Lockable storage frame for outrigger/stabiliser pads
- 4 outrigger/sliding pads (700 x 220 x 60 mm/2 ft 3 in x 9 in x 2 1/2 in)
- Track mat (2000 x 800 x 15 mm/6 ft 6 in x 3 ft 3 in x 1/2 in) fits exactly into transport frame
- Safety harness
- 2 protective track covers, made of high-quality polypropylene fabric
- Treecare package, consisting of:
 - Protective cover over control box
 - Covers on piston rod (outrigger/stabiliser) cylinders
- 4 covers on piston rod (outrigger/stabiliser) cylinders (additional weight: 10 kg/22 lbs)
- 2 headlights on engine unit
- Coming Home Function - automatic return of boom into transport position
- Automatic boom function cut off by a monitoring system of the access stair locking system
- Lifting device (250 kg/551 lbs load capacity)
This option can only be ordered in combination with the automatic boom function cut off

TRAILERS OR TRANSPORT FRAMES

- Tandem Low Platform trailer (aluminium)
- Subframe for truck Mitsubishi Canter (Total weight: 450 kg/992 lbs)

Enquiries from Europe, Asia, Middle East & Africa:

Corporate Headquarters

Teupen Maschinenbau GmbH
Marie-Curie-Str. 13
48599 Gronau, Germany

phone +49 2562 8161-0
fax +49 2562 8161-888

mail@teupen.com
www.teupen.com

Enquiries from North & South America:

US Office

Teupen USA, Inc.
10701 Southern Loop Blvd.
Pineville, NC 28134, USA

phone (704) 248-9871
fax (704) 248-9889

infousa@teupen.com
www.teupen.com/us